

# Heater Application Design Inquiry

*Not certain what you need in a heater or how your current application may be improved? Simply complete as many questions as you can below and submit this form to us. We will promptly contact you and develop a solution to meet your requirements.*

Date \_\_\_\_\_

Name \_\_\_\_\_

Company \_\_\_\_\_

Phone \_\_\_\_\_

Email \_\_\_\_\_

Briefly describe your application and the environment it will be in (e.g., outdoors, under water, etc.).

---

---

---

---

What will you be heating?

---

---

---

---

What temperature do you wish to maintain? \_\_\_\_\_

At what voltage and watts will the heater be operated? \_\_\_\_\_

Please provide any additional data about the application and/or include an image of the application with submission of this form.

---

---

---

---

---

---

---

---

*Note: The second page is for your convenience, but you may contact us without referencing it.*



[www.surecontrols.com](http://www.surecontrols.com)

N981 Tower View Drive • Greenville, WI 54942 • (800) 844-8405 • (920) 560-3314 Fax • [salesinfo@surecontrols.com](mailto:salesinfo@surecontrols.com)

# Cast-In Heater Application Design Inquiry

## Cast-In Heater—Finned

Date \_\_\_\_\_  
 Name \_\_\_\_\_  
 Company \_\_\_\_\_  
 Phone \_\_\_\_\_  
 Email \_\_\_\_\_

**Variable Dimensions** Inside Diameter "A" \_\_\_\_\_ Length "B" \_\_\_\_\_  
 Thickness "C" \_\_\_\_\_ Fin Height "D" \_\_\_\_\_ "E" \_\_\_\_\_

**Material Specifications**  Aluminum  Bronze  Brass

**Electrical Specifications** Watts each half \_\_\_\_\_  
 Volts each half \_\_\_\_\_ Phase \_\_\_\_\_

**Clamping Style**  Straps  Bolt Clamp

**Cooling Tube Sizes**  1/4" O.D. SS  3/8" O.D. SS  1/2" O.D. SS  
 Optional Incoloy (1/2" only)  Dual Cooling Tubes

### Cooling Tube Fittings

- Non-exposed 3/8" NPTF
- "HS" Hi-Seal Fitting
- "RA" 90° Copper Elbow
- Non-exposed 1/2" NPTF
- "BF" High Pressure
- "RT" 90° Threaded Elbow
- "FF" Flared Seal
- "R3" Straight Threaded

### Terminal Style

- "S" Post Terminals
- "C4" Ceramic Cover
- "F" Plain Leads
- "T" Mica Washers
- "TS" Leads and Shrink Sleeve
- "L"-"L9" Terminal Lug
- "T7" Post Terminals
- "R" 90° Blockhead
- "H" Hermetic Seal
- "SF" Quick Disconnect
- "SF9" Quick Disconnect
- "R2" Blockhead and Through Hole
- "R1" Armor Cable Leads
- "E" Right-Angle Lugs

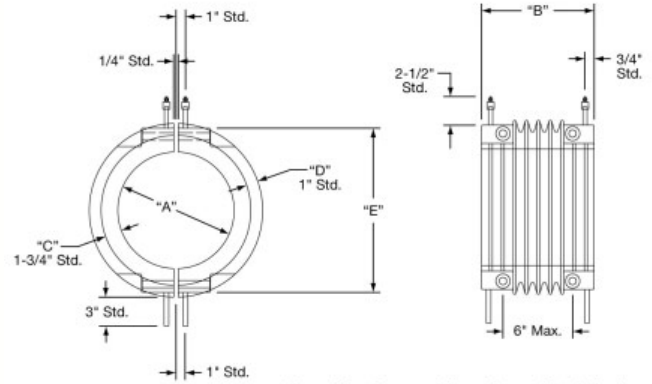
### Terminal Protection Box

- "C7" 1 Box for both halves
- "EP" Explosion Resistant
- "MPR" Moisture Resistant Box
- "P2" High Temperature Quick-Disconnect

**Finish** Machined or As Cast. *Indicate surfaces to be machined.*

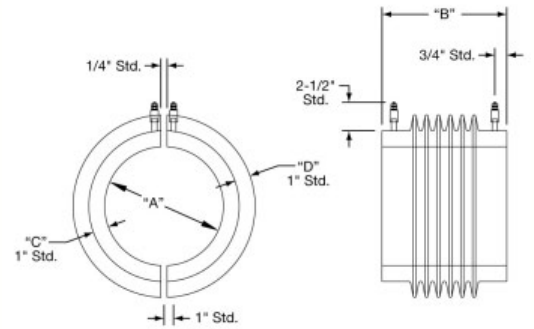
**Special Cast-In Features** Holes, Cutouts, Slots, Bevels, Mounting Studs, Stand-Offs and Taper Angles.  
*For special features, a detailed drawing is required.*

## Finned Cast-In Band Heater Bolt Clamping



*Specify size and location of bolt holes.*

## Finned Cast-In Band Heater Strap Clamping



[www.surecontrols.com](http://www.surecontrols.com)

N981 Tower View Drive • Greenville, WI 54942 • (800) 844-8405 • (920) 560-3314 Fax • [salesinfo@surecontrols.com](mailto:salesinfo@surecontrols.com)